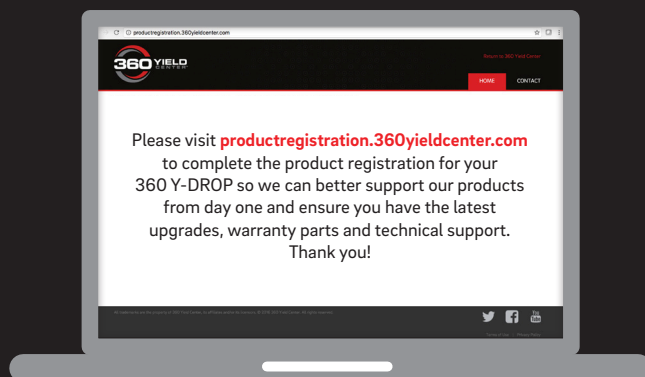




INSTRUCTIONS 360 Y-DROP®

JOHN DEERE 4730/4830

360 Y-DROP® REGISTRATION



360YIELDCENTER.COM

V1 - 12.23.2016



INSTRUCTIONS 360 Y-DROP

JOHN DEERE 4730/4830

⊕ INTRODUCTION

+ Before beginning, it's important to know where each mounting bracket fits relative to the row spacing involved. The 360 Y-DROP unit should be precisely centered on the machine, as this is critical to the assembly of the system to the sprayer and for mounting the system to your sprayer boom. There are, however, many boom variations among all sprayer models. Your sprayer may not be identical to the model in the following steps of the guide, and the pictures may not exactly reflect your model. While these steps will help you install most of your 360 Y-DROP system, you may need to custom-fit some components with your particular boom.

⊕ RECOMMENDED TOOLS

- + Ratchet wrench with 1/2" and 9/16" deep well sockets
- + 3/8" 12-point socket
- + 1/2" and 9/16" combination wrenches
- + Drill with 7/16" drill bit

⊕ TORQUE VALUES

+ Refer to these torque values when tightening all fasteners

+ 5/16" stainless	U-bolt	15 ft/lbs
+ 5/16" stainless	Set screw	15 ft/lbs
+ 3/8" carbon	U-bolt	35 ft/lbs
+ 5/16" carbon	U-bolt	30 ft/lbs
+ 5/16" carbon	Stop bolt	30 ft/lbs

⊕ QUESTIONS

+ Call our Product Support team at 888-512-4890

I.

ESTABLISH
DROP LOCATIONS

Figures 1 and 2

Step 1 Locate the center of the machine and identify the location of all the drops. On the sprayer boom, mark where each riser mount will be located. This will ensure that the extension tubes will not interfere with the riser mounts.

Figure 3

Step 2 Starting at the wing fold pivot pin on the primary boom, measure and mark points at 32", 86", 156", 213" and 277" (all measurements are ± 5 "). Repeat for the other primary boom.

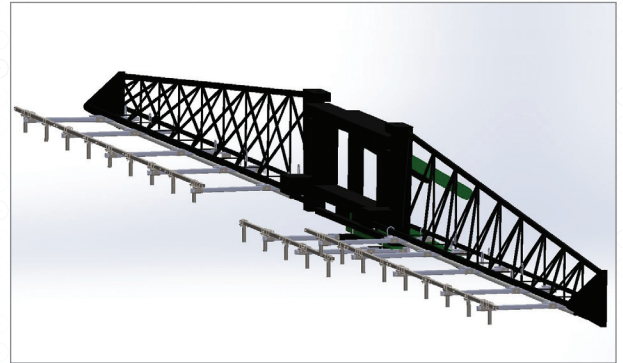


Figure 1

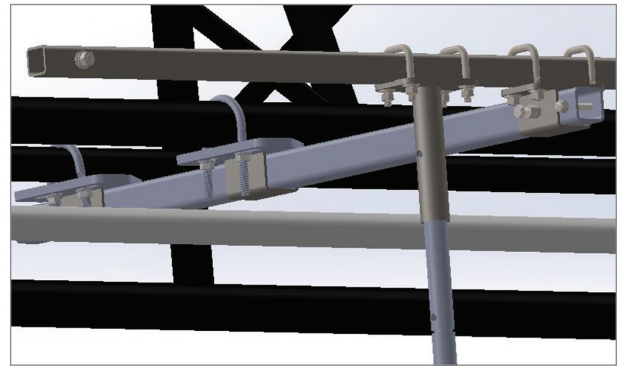


Figure 2

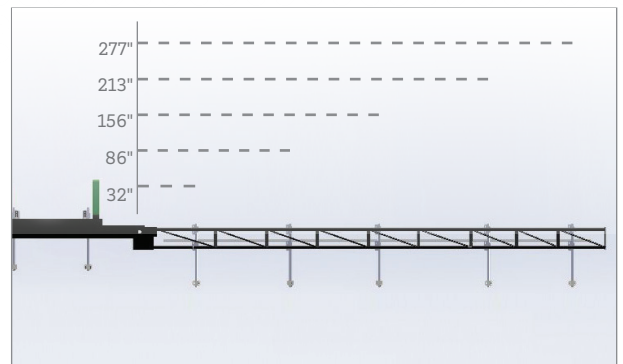


Figure 3

II. INSTALL WET BOOM SPACER PLATE

This process will create the clearance necessary for the new square tube and wet boom assembly.

Figure 4

Step 1 Remove bolt assemblies (1).

Figure 5

Step 2 Install two 4" spacer plates (1).

From Center Section Kit

Step 3 Install 5/16" x 2" bolts (2) with flat washers on the top and bottom and the Nylock nut.

Hardware Kit B from Center Section Kit

Repeat Steps 1-3 for all wet boom support assemblies.

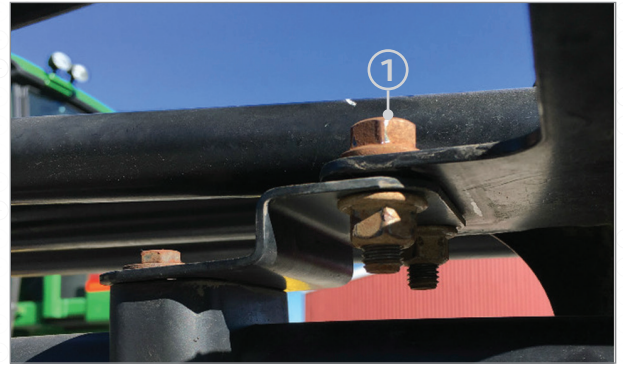


Figure 4

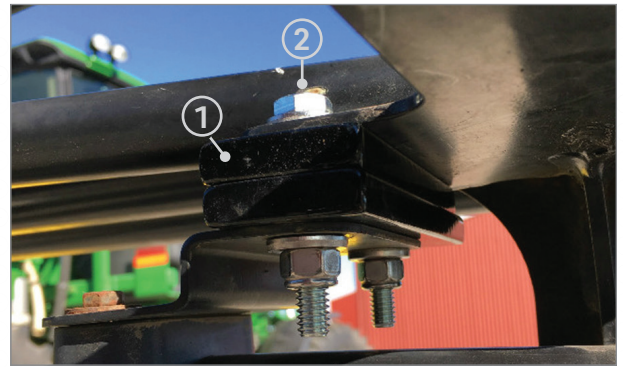


Figure 5

III. INSTALL NEW SQUARE TUBE BRACKET ON OEM PRIMARY BOOM

Figures 6 and 7

To prepare for the steps that follow, you will need to drill a 7/16" hole 84" +/-6" from the pivot pin on the OEM Primary boom (1). This will allow for the installation of the second mounting position of the U-bolt on the rear OEM boom.

Figure 8

Step 1 With the threads pointing down, install U-bolt (1) on front OEM boom. Install bracket assembly (2) and the nuts onto the front OEM boom.

Bag AA

Step 2 With the threads pointing down, install U-bolt (3) over the rear OEM boom. Install bracket assembly (4) and nuts onto the rear OEM boom.

Bag EE

Step 3 Install extension tube (5) into bracket assemblies (2) and (4).

Step 4 Install 360 Y-DROP boom bracket (6) onto extension tube (5).

Bag BB

Step 5 Install set screw (7).

Hardware Kit A within Bag BB

Figure 9

Step 6 Install set screws (8).

P/N 207042 Hardware Kit D
within OEM Boom Bracket Kit

Step 7 Install stop bolt assemblies (9) at the front and rear of the extension tube.

Hardware Kit B within Bag BB

Repeat Steps 1-7 for the remaining sprayer mount packages.

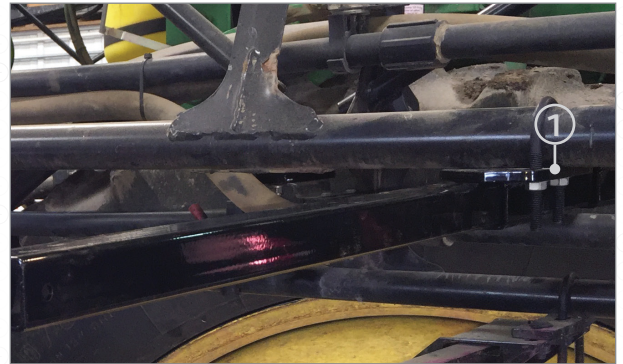


Figure 6

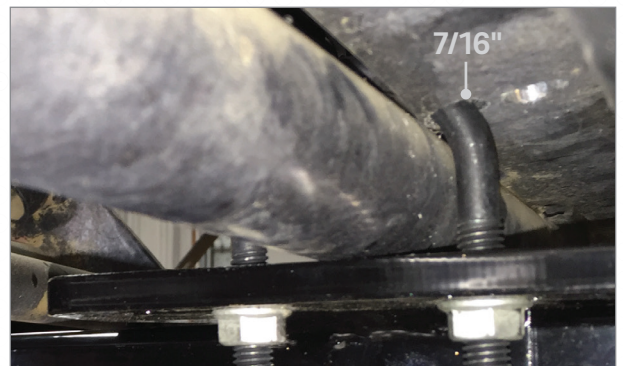


Figure 7

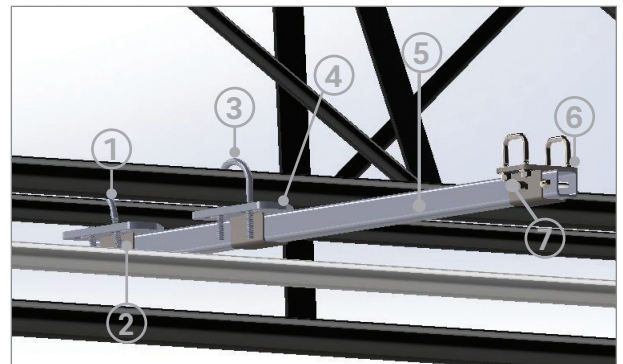


Figure 8

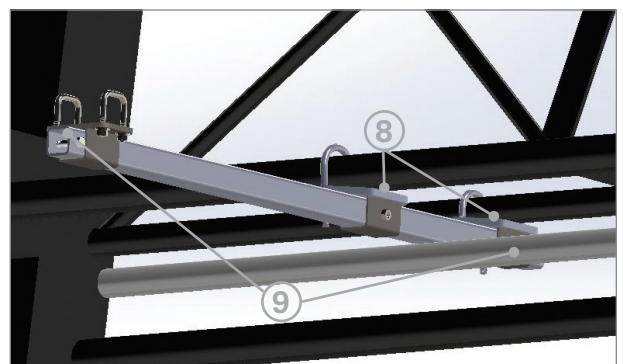


Figure 9

IV.

INSTALL CENTER SECTION
SQUARE TUBE

Figure 11

Step 1 Install u-bolt (1) and 14" top plate (2) using the supplied hardware.

Step 2 Install bracket assemblies (3).

Figure 12

Step 3 Install extension tube (1).

Step 4 Install 360 Y-DROP boom bracket (2) on extension tube (1).

Bag BB

Step 5 Install stop bolt assemblies (3).
Hardware Kit B within Bag BB

Step 6 Install set screws (4) on bracket assemblies.

Hardware Kit D within the Center Section Kit

Figure 13

Step 7 Install set screw (1) on Y-DROP boom bracket.

Hardware Kit D within the Center Section Kit

Repeat steps 1-7 for the remainder of the center section square tube.



Figure 10

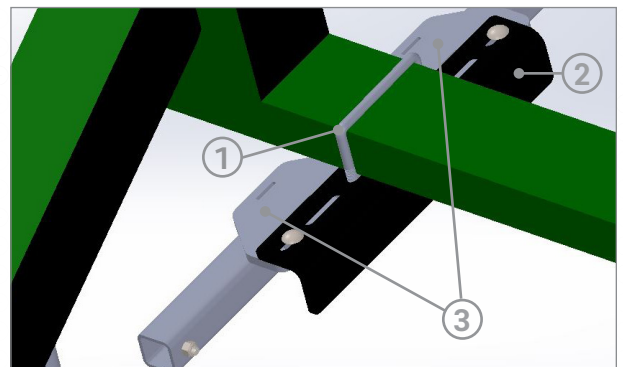


Figure 11

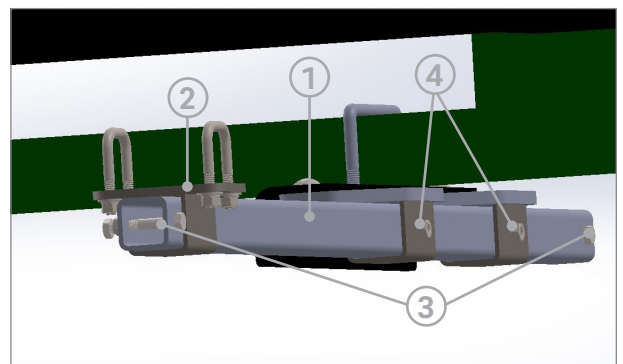


Figure 12

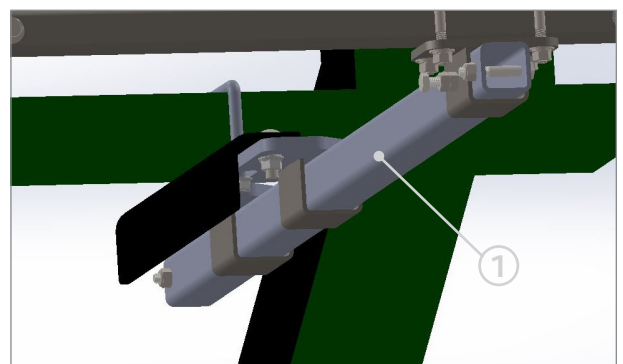


Figure 13

V.

INSTALL 360 Y-DROP BOOM

Figure 14

Step 1 Assemble 5' boom sections (1) utilizing 8" boom connectors (2) and the supplied hardware.

Hardware Bag CC

Step 2 Repeat Step 1 as needed in order to assemble the entire 360 Y-DROP boom.

Step 3 Set the 360 Y-DROP boom assembly onto boom bracket (3).

Repeat Steps 1 -3 for the remaining boom assemblies.



CAUTION: The 360 Y-DROP boom assembly may weigh up to 150 lbs. (68 kg). Exercise caution and enlist help for this process.

Figure 15

Step 4 In order to span the full length of the center section 360 Y-DROP boom, you will need to cut and drill one of the 5' boom sections to 1'. Mount this 1' section between two full 5' boom sections. Drill a 7/16" through hole centered 2" from the outside edge.

Figures 16 and 17

Step 5 Install square U-bolt (1), the 5/16" extra thick washers, and the 5/16" nuts over the 360 Y-DROP boom (2).

Hardware Kit A

Step 6 Install stop bolt (3) at the both the front and the rear of the extension tube. Repeat for remaining stop bolts.

Hardware Kit B

Step 7 Install stainless steel set screw and jam nut assembly (4). See Figure 16 for detail. Repeat for the remaining mount assemblies on the primary boom.

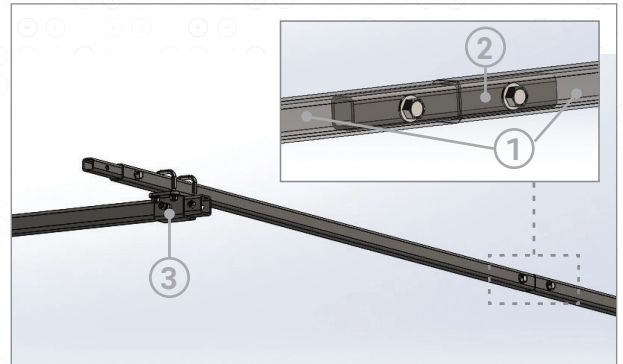


Figure 14



Figure 15

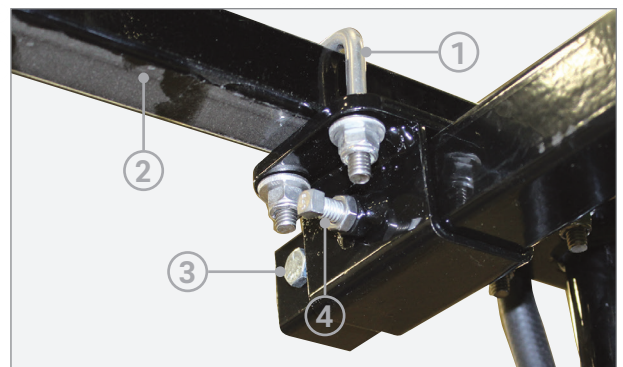


Figure 16

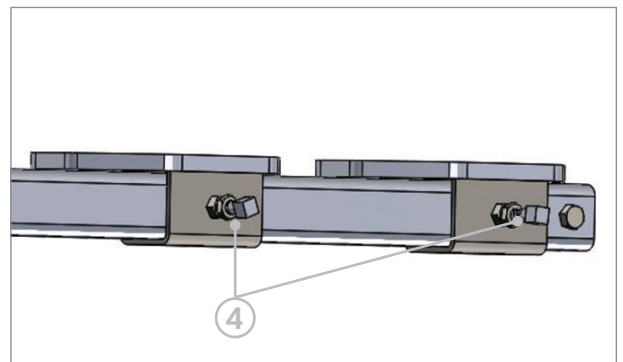


Figure 17

VI. INSTALL BREAKAWAY ASSEMBLY - ONE PIECE

Figure 18

Step 1 Install breakaway assembly - one piece (1) using the square U-bolts (2) and the extra thick washer and Nylock nut. Repeat for the remaining breakaway assemblies - one piece.

Hardware Kit C

Figure 19

Figure 19 may show more or fewer mounts than your installation. The alignment and quantity of the mounts will depend on your row spacing.

Figure 20

Step 2 Install riser tube assembly (1) into the breakaway assembly - one piece (2).

Step 3 Install pin (3).

Repeat Steps 2 and 3 for the remaining riser tube assemblies.

NOTE: Included in most sprayer mount packages are standard riser mounts to be used when primary booms are folded and in transport mode. These standard riser mounts should be mounted in locations that allow you to relocate the drops away from potential tire interference. See "Install Riser Mounts Without Breakaway Assemblies" section on next page for more instructions.

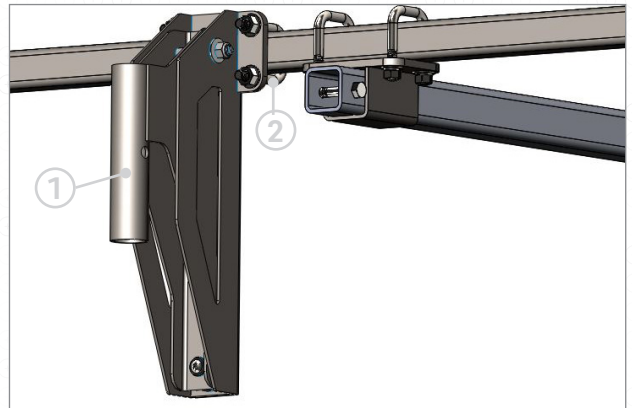


Figure 18



Figure 19

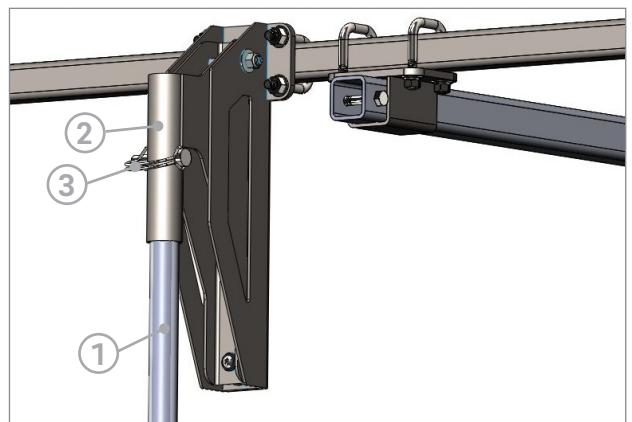


Figure 20

VI. INSTALL RISER MOUNTS WITHOUT BREAKAWAY ASSEMBLIES (OPTIONAL)

Figure 21

Step 1 Install riser mount (1) using the square U-bolts (2) and the extra thick washer and Nylock nut. Repeat for the remaining riser mounts.

Hardware Kit C

Figure 22

Figure 22 may show more or fewer riser mounts than your installation. The alignment and quantity of the riser mounts will depend on your row spacing.

Figure 23

Step 2 Install riser tube assembly (1) into the riser mount (2).

Step 3 Install pin (3).

Repeat Steps 2 and 3 for the remaining riser tube assemblies.

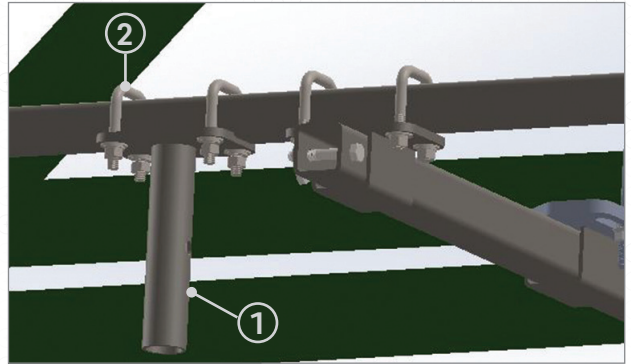


Figure 21

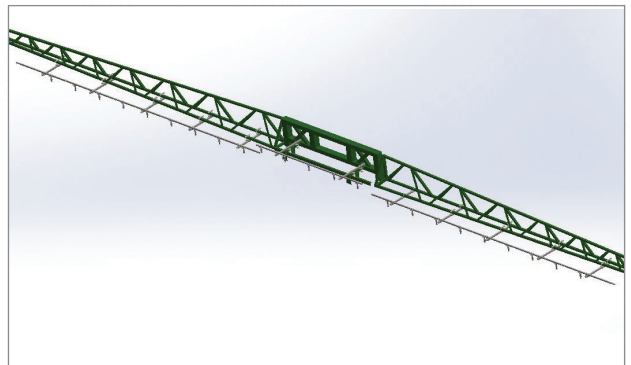


Figure 22

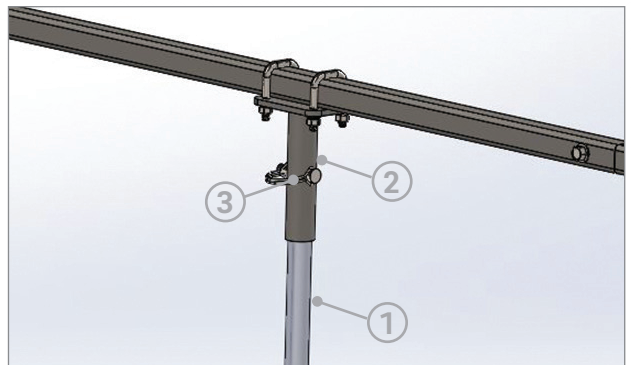


Figure 23

VII. INSTALL SHIELDS AND RISER HOSES

Figure 24

Step 1 Install shield (1) onto riser tube (2).

Figure 25

Step 2 Install base unit (1) onto riser tube (2).

Figure 26

Step 3 Assemble drag hoses (1) to 360 Y-DROP base and secure with hose clamps (2).

Figure 27

Step 4 Note the orientation of the drag hose clamps. The tails should point inward.

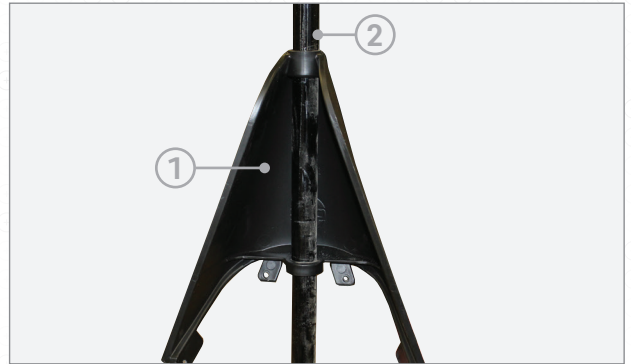


Figure 24

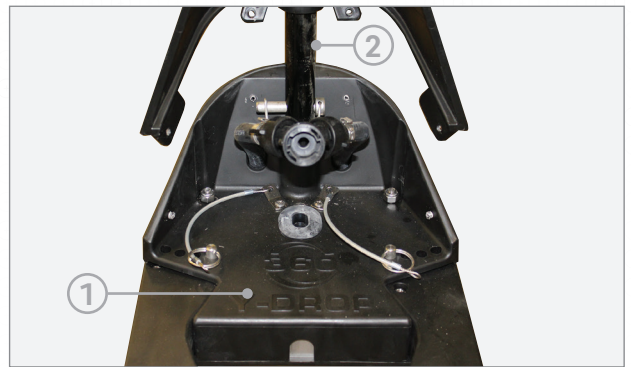


Figure 25

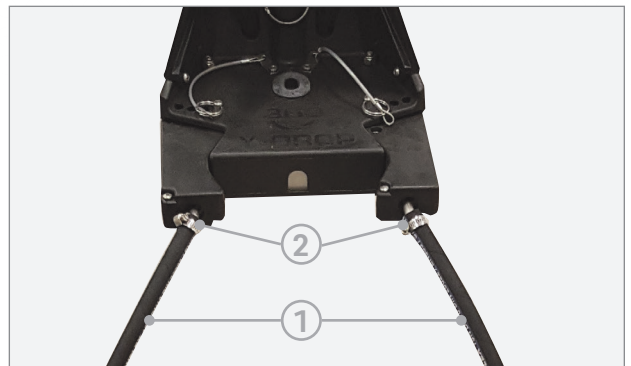


Figure 26



Figure 27

VII. INSTALL SHIELDS AND RISER HOSES *(CONTINUED)*

Figure 28



CAUTION: Do NOT use a drill or impact driver for Steps 5 and 6.

Step 5 Install two ½" screws (1).

Step 6 Install two ¾" screws (2).

Step 7 Install rubber washer (3) into the "Y".

Figure 29

Step 8 Install riser hose assembly (1) into the "Y".

Figure 30

Step 9 Route riser hose assembly (1) as shown in Figure 30.

Step 10 Install the riser hose assembly to the OEM nozzle body.

Step 11 Use 3 equally spaced plastic ties to secure the riser hose assembly.

Repeat Steps 1-11 for the remaining 360 Y-DROP Shields.

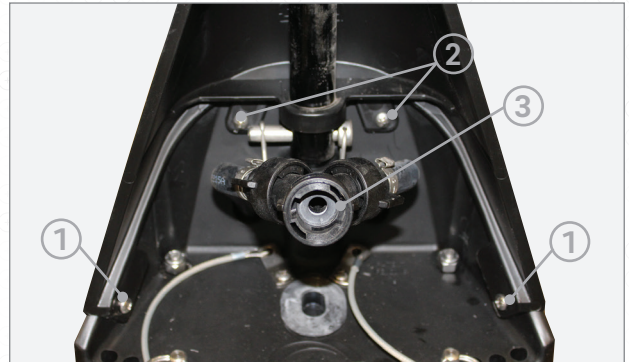


Figure 28



Figure 29

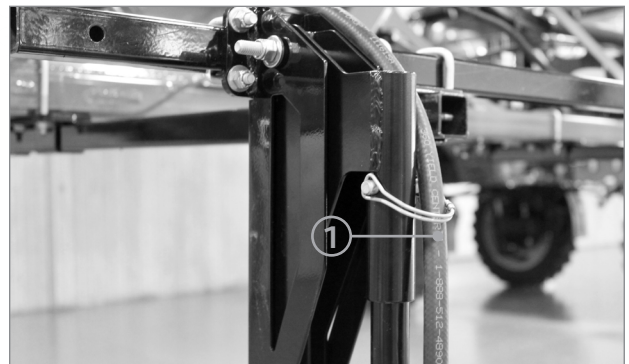


Figure 30

⊕ INSTALLATION COMPLETE.

